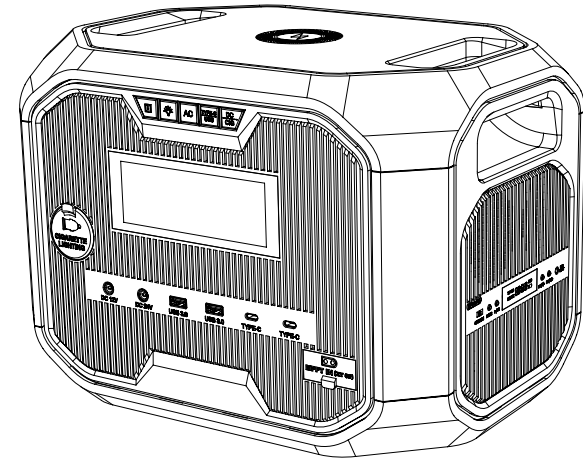


# USER MANUAL

## Portable Power Station

**1200W**



Tel: 0769-81116886 (CHN)

E-mail: [Tursan@tursan-energy.com](mailto:Tursan@tursan-energy.com)

Website: [www.tursan-pps.com](http://www.tursan-pps.com)

9/F, Block E, No.22,Xianghe 3rd Road, Dalang Town,Dongguan City, Guangdong Province, China

## Thank you for purchasing our product. This manual is intended to guide you in the safe and effective use of this product.

This manual describes the safety instructions, proper operation, precautions, warranty regulations and disclaimers for this product. After reading this manual, please keep it in a safe place so that you can refer to it at any time. Subject to the laws and regulations, we have the final right to interpret this manual and all documents related to this product. If necessary, its contents will be updated, modified or terminated without prior notice.

### SAFETY INSTRUCTIONS

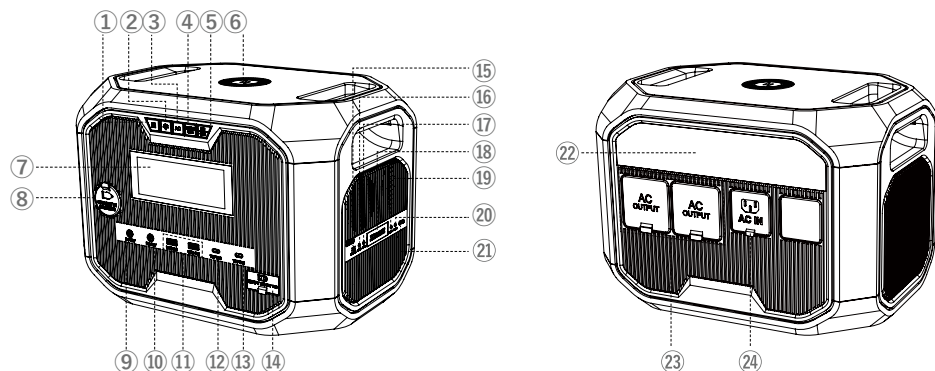
1. This product generates electromagnetic waves during use and charging, so if you wish to power an implantable pacemaker or similar device, be sure to check with your doctor or medical institution and the device manufacturer before using it.
2. Do not attempt to disassemble or modify the product, as this may cause the product to overheat and cause a fire or electric shock. If the product is deformed or damaged due to dropping or impact, do not continue to use the product to avoid safety accidents.
3. When the charger, charging cable and plug are damaged, please replace them in time to avoid safety accidents.
4. Please use the product under the ambient temperature of  $-10^{\circ}\text{C} \sim 45^{\circ}\text{C}$  as specified in the instruction manual. Do not place the product in liquids or corrosive gases to avoid safety accidents. Do not use the product in environments with large amounts of vapors, dust, fumes or flammable gases to avoid safety accidents.
5. Please do not operate the product with wet hands or charge the product to avoid electric shock accidents; when used outdoors, please note that the product should not be touched by liquids such as rain, seawater, drinks, etc., so as to avoid safety accidents caused by short circuit due to the liquid flowing into the product.
6. Do not connect the AC output to any power company wires or indoor wires, which may cause electric shock or fire. When charging the product, be sure to use the charging cable configured by our company, if you need to use other chargers to charge the product in case of emergency, you must use a charger that meets the charging voltage and charging current requirements in the instruction manual to charge the product to avoid safety accidents. Please use household power supply, DC car power supply and solar panel to charge the product battery. This product is set according to the voltage standard of different countries before delivery, before purchase and use, please consult the dealer or use the product against the instruction manual.
7. If you notice any abnormal odor, overheating, discoloration or deformation during charging, please unplug the charger from the outlet promptly, otherwise it may cause overheating and fire. When connecting the power plug of electrical equipment to this product, please insert the plug firmly into the root, otherwise it may lead to electric shock or fire.
8. Please keep it out of the reach of children to avoid electric shock or injury caused by improper operation.

9. Do not store this product in a humid, dusty, or hot environment as this may degrade the insulating properties of the product and cause overheating or fire. Storage at high temperatures may also shorten battery life.
10. This product should not be disposed of with household garbage; please recycle according to local laws and regulations.

### SPECIFICATIONS

GENERAL INFO	
Rated Power	1200W Pure Sine Wave (Peak Power 2400W)
Rated Capacity	1310.72Wh (25.6V/51200mAh)
Battery Type	LiFePO4 Battery
Audio	Bluetooth/FM/Microphone
Cycle Life	6000 Cycles @80% EOL
Weight	About 28 lbs/ About 12.7 kg
Dimensions	13.8 × 9.92 × 9.8 in/ 350 × 252 × 250mm
OUTPUT PORTS	
TYPE-C1	5V=3A 9/12/15/20V=2A (40W Max)
TYPE-C2	5/9/12/15V=3A 20V=5A (100W Max)
USB-QC3.0 × 2	5V=3A 9V=2A 12V=1.5A (18W Max)
Cigarette Lighter	13V=10A (130W Max)
DC5521	13V=5A (65W Max)
Cigarette Lighter + DC5521	130W Max
DC5525	24V=4.5A (108W Max)
AC Output × 2	110V/220V, 60Hz/50Hz (1200W Max)
Wireless Charging	15W Max
INPUT PORTS	
AC Charging	110V/220V, 60Hz/50Hz (900W Max)
MPPT (XT60) Charging	12V-29V (150W Max) (Support Car Charger Charging)
ENVIRONMENTAL OPERATING TEMPERATURE	
Operating Temperature	$-10^{\circ}\text{C} \sim 45^{\circ}\text{C}$
Storage Temperature	$-10^{\circ}\text{C} \sim 60^{\circ}\text{C}$

## FUNCTION INTRODUCTION



- |  |                                 |
|--|---------------------------------|
| ① . Main Power On Key                                    | ⑬ . TYPE-C 100W Output Port     |
| ② . Lighting Switch                                      | ⑭ . MPPT (XT60) Charging Port   |
| ③ . AC Output Switch                                     | ⑮ . Bluetooth/Radio Switch      |
| ④ . TYPE-C/USB Output Switch                             | ⑯ . Mode Selection              |
| ⑤ . DC/Cigarette Lighter/Wireless Charging Output Switch | ⑰ . Play/Pause Button           |
| ⑥ . Wireless Charging                                    | ⑱ . Display                     |
| ⑦ . Display  | ⑲ . Previous/Volume Down Button |
| ⑧ . Cigarette Lighter Output Port                        | ⑳ . Next/Volume Up Button       |
| ⑨ . DC5521 Output Port                                   | ㉑ . Microphonejack              |
| ⑩ . DC5525 Output Port                                   | ㉒ . Light                       |
| ⑪ . USB-QC 3.0 Output Port×2                             | ㉓ . AC Output Port×2            |
| ⑫ . TYPE-C 40W Output Port                               | ㉔ . AC Input Port               |

### 1. Power Button:

Press and hold the "☰" button for 3 seconds to turn the device on; the LCD display will light up and the battery icon will light up. Short press the "☰" button to open the one-touch "SOS" mode; long press the "☰" button for 3 seconds to turn off the device.

### 2. Light Button:

Short press the "☀️" button lighting on, the first gear medium brightness 50%, the second gear high brightness 100%, the third gear breathing light mode, the fourth gear burst flash mode, then press again to turn off (long press 2-3S in any mode to turn off the lighting, button illumination on, first high 100%, second flashing mode, then press again to turn off (long press 2-3S to turn off illumination in any mode).

### 3. AC Output Button:

To use the AC output, first turn on the power of the product, then press the "AC" button, the AC output turns on and the "AC" icon on the screen lights up, and the output turns off when the "AC" button is pressed again.

### 4. TYPE-C / USB Output Button:

Long press 2-3S "☰" after power on, short press the switch "TYPE-C/USB", the "☰" icon on the display will light up, the USB/TYPE-C function has been turned on; then plug in the USB cable or TYPE-C cable and connect it to the device, the device will enter the charging mode.

### 5. DC / Cigarette Lighter Output Button:

In the power-on state, press the "DC" button briefly, the "DC" icon appears on the screen, and the DC/Cigarette lighter functions are activated normally; connect the device via the standard connection cable. In the power-on state, press the "pc" button briefly, the "pc" icon appears on the screen, and the DC12V/DC24V and cigarette lighter functions are activated normally; connect the device via the standard connection cable.

### 6. Wireless Charging Function:

Long press 2-3S "☰" After the product is turned on, long press the switch "DC/DC", the screen appears wireless charging icon, the function is normally open. At this time, put the cell phone with wireless charging function on the top of the product shell wireless charging designated location, you can charge normally (note that the cell phone can not be more than 6mm away from the wireless charger, otherwise it will reduce the charging efficiency or can not be charged).

### 7. Bluetooth Stereo / Radio:

Toggle the Bluetooth switch to turn on the device in the power-on state, the Bluetooth mode will be turned on and the screen will display the Bluetooth icon, short press the switch mode switch to switch the Bluetooth FM mode.

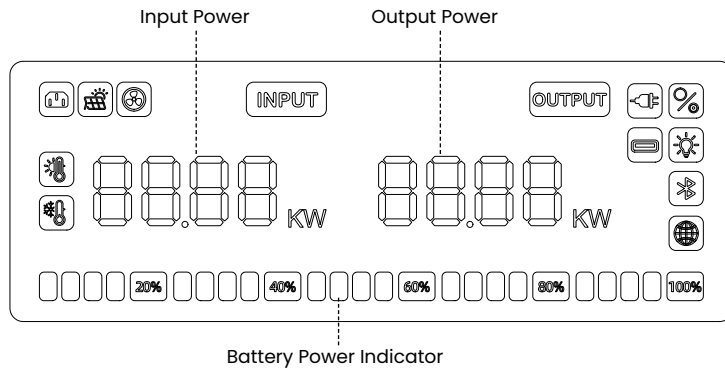
#### Bluetooth Mode:

When you use it for the first time, please long press the "pause button" to search for stations, short press the up and down buttons to change stations, and long press to adjust the volume. (If the FM can not be used normally, please long press the "pause play button" will automatically search for stations, after the end of the return to normal work).

#### Microphone / KTV Mode:

There is a microphone port on the Bluetooth module that can be accessed for KTV mode.

## DISPLAY DESCRIPTION



AC Charging

Solar Charging

Fan

High Temperature Warning

Low Temperature Warning

AC Output

DC Output

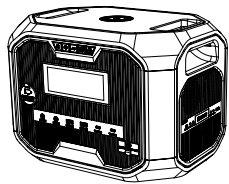
USB/Type-C Output

Lighting Indicator

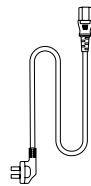
Bluetooth

Wireless Charging

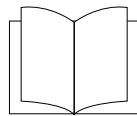
## PACKAGE LIST



TSA007-YC1200



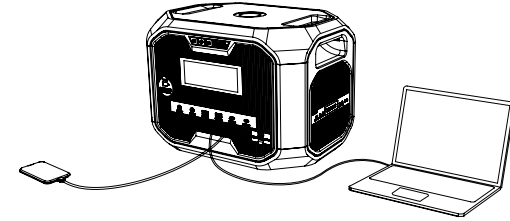
AC Charging Cable



User Manual

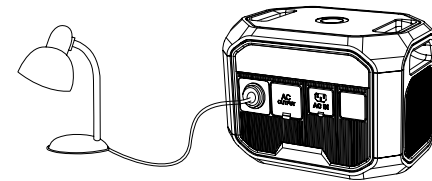
## OUTPUT PORT DESCRIPTION

### A: How to use USB/TYPER-C port output



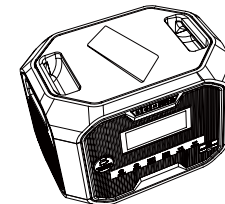
- Long press 2-3S " " product power on, short press the " " switch, the display " " icon lights up, USB/TYPER-C function has been opened.
- Insert the USB cable, TYPE-C cable plug connected to the use of electrical appliances, electrical appliances into the charging mode.
- When the charging is finished, unplug it and turn off the output button.

### B: How to use AC port output



- Press and hold 2-3S " " to turn on the power.
- Press and hold the " " button to turn on the AC output, the " " icon will light up in the screen, and when the " " button is pressed again, the output will be turned off. (Supports ups output up to 1200W)

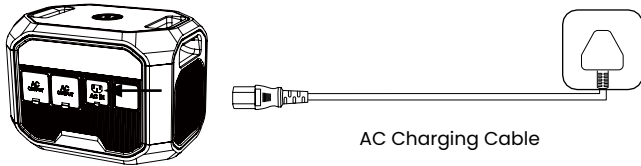
### C: How to use wireless charging



- Turn on the wireless charging function, place the phone in the wireless charging place can be charged, wireless charging maximum effective distance of 6mm, it is recommended to charge the phone when the protective case is removed, in order to avoid charging the situation can not occur. (The function is compatible with most models on the market).
- Product wireless charging has a foreign object detection function, when there is about "one dollar coin" size metal objects fall in the wireless charging position, the wireless charger will enter the protection state, at this time the foreign object will be removed, the wireless charger back to normal charging.

## CHARGING PORT DESCRIPTION

### AC Wall Charging

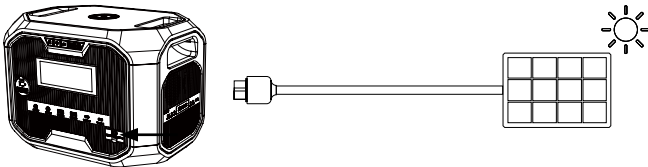


AC Charging Cable

- Connect the utility power to the product charging socket through the charging cable, when the AC charging icon on the display lights up, the power icon flashes in the way of a running light, that is, normal charging; charging is about 2.8 hours full.
- If the internal temperature of the product is too high during the charging process, the product stops charging and discharging.
- When the battery is full, the screen power display bar shows 100% of the power, which indicates that the charging is complete, and the overcharge protection function is activated, and charging will stop automatically.
- It is not necessary for the battery to be fully charged. The overcharge protection function is activated and charging will stop automatically. Please disconnect the charging cable from the device and unplug it from the power outlet in time.

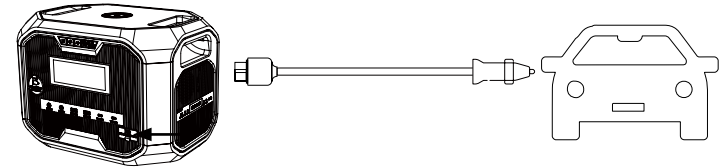
\* (The product has intelligent temperature control charging management function, will automatically adjust the charging power through the battery temperature rise)

### Solar Charging



- Place the solar panel in a place with direct sunlight (no shade).
- This product supports MPPT charging mode, when the output port of the solar panel is connected to the MPPT charging port of the product, the PV charging icon will appear on the display, indicating normal charging.
- If the internal temperature of the product rises during the charging process, the fan will be activated to cool down the device through the fan.
- When the battery is full, the screen power display bar shows 100% power, indicating that the charging is complete, the overcharge protection function is activated, and charging will stop automatically. Please remove the charging cable from the product and the solar panel, and turn off the solar panel output function.

### Charging with car cigarette lighter



- Plug the charging cable into your car's cigarette lighter jack, then connect the other end of the charging cable to the product's MPPT (XT60) charging port, start the car, and the product will begin charging.
- When the display screen power to blink in the way of running lights, it means normal charging. When the battery is full, the screen power display bar shows 100% power, indicating that the charging is complete, overcharge protection function is activated, charging will automatically stop. Please unplug the charging cable from the device.

## PRODUCT CHARACTERISTICS

1. When the battery pack voltage is too low, the product will enter the over-discharge protection state, the product must be charged.
2. When the temperature is around  $-10^{\circ}\text{C}$ , you can only use the USB and LED lighting function: when the ambient temperature is higher than  $-5^{\circ}\text{C}$ , you can turn on the AC power supply, and the USB/Type-C and cigarette lighter plug-in can be turned on normally (within  $+2^{\circ}\text{C}$  of the temperature error).
3. Due to the low-temperature characteristics of lithium-ion iron phosphate batteries, this product is recommended to be used in environments above  $-3^{\circ}\text{C}$  Celsius.
4. charging and discharging restrictions: when the battery is in the low temperature ( $-20^{\circ}\text{C}$ ) or high temperature ( $60^{\circ}\text{C}$ ) state, the product limits the charging and discharging function.
5. Energy Saving Mode.
  - When the product is turned on, it will be forced to shut down when there is no operation within 5-15 minutes.
  - When the product is turned on, no load or total load power less than 8W, for 10 hours, the product enters the energy-saving mode, and will be forced to shut down.

\* In order to prolong the battery life of the product, it is recommended to use the product at least once every 2 months and store it after fully charged.

## COMMON TROUBLESHOOTING TIPS

When the product is abnormal, the corresponding function will be forced to shut down, at this time, the connection load can be lifted first, you can press the corresponding function key to lift the abnormal error icon, and restart the corresponding function. (Note: If the hardware triggers the protection first, the screen will not display the icon to report the error).

**1. When USB overcurrent or short-circuit protection, the port shuts down the output.**

Note: The USB output port is purely protected by hardware, so the screen will not display the error message after USB output is overloaded or short-circuited.

**2. When TYPE-C overcurrent or short-circuit protection, the port output is turned off.**

Note: The TYPE-C output port is purely hardware protected, so the screen will not display an error message when the TYPE-C output is overloaded or short-circuited.

**3. When the cigarette lighter output is overcurrent or short-circuit protected, the port output is turned off and the "🔌" icon flashes as a warning.**

Note: DC5521 output port is purely hardware protection, so the screen will not display error message after DC5521 output overload or short circuit.

**4. When the AC output triggered over-temperature, overload, short-circuit protection, AC automatically shut down the output, the screen "🔌" icon blinking error + display an error code, when the temperature  $\leq 70^{\circ}\text{C}$  to restore the output.**

**5. When the discharge high temperature protection  $\geq 65^{\circ}\text{C}$  shut down all the outputs, this time the icon "🔌" flashes (1 second 1 flash) and there is an error code; until the battery over-temperature lifted ( $\leq 55^{\circ}\text{C}$ ) and then restart the corresponding function.**

**6. When the charging over-temperature protection is  $\geq 55^{\circ}\text{C}$ , the charging function will be shut down; at this time, the icon "🔌" is flashing (1 second 1 flash) and there is an error code; until the battery over-temperature is lifted ( $\leq 45^{\circ}\text{C}$ ) and then restart the corresponding function.**

**7. When the discharge temperature is lower than the protection  $\leq -20^{\circ}\text{C}$ , all outputs will be turned off during low temperature protection, at this time, the low temperature icon "🔌" flashes (1 second 1 flash) and there is an error code; until the low temperature of the battery is lifted ( $\geq -5^{\circ}\text{C}$ ) and then restart the corresponding function.**

**8. When the charging temperature is lower than the protection  $\leq 0^{\circ}\text{C}$ , the charging function will be forced to shut down, at this time, the low temperature icon "🔌" flashes (1 second 1 flash) and there is an error code; until the low temperature of the battery is lifted ( $\geq 5^{\circ}\text{C}$ ), it can be charged normally.**

**9. When the battery is in low voltage state, and shut down all the function output, and there is an error code; if not charging then the product will be forced to shut down in about 1 minute. When USB overload or short-circuit protection, the port is forced to shut down the output.**

### Error code:

111 111 Inverter Communication Abnormality

555 555 Battery Low Voltage Protection

222 222 Inverter High Temperature Abnormality

666 666 Battery Low Temperature Protection

333 333 Inverter Overload Protection

777 777 Battery High Temperature Protection

444 444 Inverter Short Circuit Protection

888 888 Bms Communication Abnormality

## PRECAUTIONS FOR PRODUCT USE

1. When using this product, please pay attention to the input and output voltage range, the input voltage and power range required by your equipment is not in the range of the energy storage power supply, the correct use can extend the service life of the energy storage power supply.
2. For proper use of the storage power supply to power the device, use a guaranteed original connection cable.
3. The energy storage power supply needs to be placed in a dry environment for storage, and the correct storage method can prolong the service life of the energy storage power supply.
4. Please fully discharge this product every two months to extend the life of the product's battery.
5. Do not place this product in a place where the temperature is too high or too low.
6. High or low ambient temperatures can shorten the life of electronic products and cause serious damage to the product casing.
7. Do not wipe the product with corrosive chemical solvents. The surface can be scrubbed with a cotton swab moistened with a small amount of anhydrous alcohol.
8. When using this product, please hold it gently and do not drop it or assemble it violently.
9. This product has high voltage electricity inside, please do not disassemble it by yourself to avoid safety accidents.
10. It is recommended that the product be fully charged when first used to avoid inconvenience due to insufficient power. After the device is fully charged and the charging cable is unplugged, the fan will continue to work for about 5-10 minutes to dissipate the heat of the device (the time for the body to dissipate heat may vary with the temperature of the site).
11. When the unit fan is operating, care should be taken to prevent dust particles or foreign objects from entering the interior of the unit, as this can easily lead to damage to the internal equipment.
12. After discharging, the device fan will continue to work to reduce the temperature of the device to a reasonable temperature for about 30 minutes (the exact time may vary with the site temperature). When charging and discharging at the same time, the device temperature is too high, it will trigger the automatic power-off protection.
13. During charging and discharging, please connect the device to the charging and discharging equipment before turning on charging and discharging.
14. After discharging, please leave the product for about 30 minutes until the temperature drops before recharging to extend the life of the product's battery.

## WARRANTY REGULATIONS

**Please read the warranty carefully and keep it properly.**

1. When the product malfunctions during the warranty period with normal use of the product according to the instruction manual, our company will be responsible for the repair.
2. If replacement or warranty is required, please send this warranty card together with the product.
3. Within the warranty period, if one of the following circumstances, the company will not be free of charge repair.
  - Failure or damage caused by failure to observe the precautions recorded in the instruction manual.
  - Malfunction or damage caused by improper storage (battery failure due to long time without charging).
  - Malfunction or damage caused by using an adapter other than the specified power supply within the specified voltage range.
  - Malfunction or damage caused by disassembly or modification.
  - Surface coating and cosmetic damages are not covered by the warranty.
  - Product packaging and product accessories are not covered by the warranty
4. Failure or damage due to force majeure (force majeure refers to unforeseen, unavoidable or insurmountable objective events, including natural disasters such as floods, fires, explosions, lightning, earthquakes and storms, as well as societal events such as wars and unrest).
5. This manual is for the use of (this sales area) only, the final interpretation right belongs to the company.
6. This manual will not be distributed to users individually, so please keep it in a safe place.
7. If the name of the dealer is not written or stamped, ask the dealer from whom you purchased the product for proof of the date of purchase and the name of the dealer, and issue a receipt to the dealer.

## PRODUCT WARRANTY CARD

This card is a product warranty certificate, please be sure to keep it properly.

Product Name			
Manufacturing Number		Purchasing Date	
Dealer Name			
Dealer Address			
Customer Name			
Customer Address			
Customer Phone Number		Customer Email	

